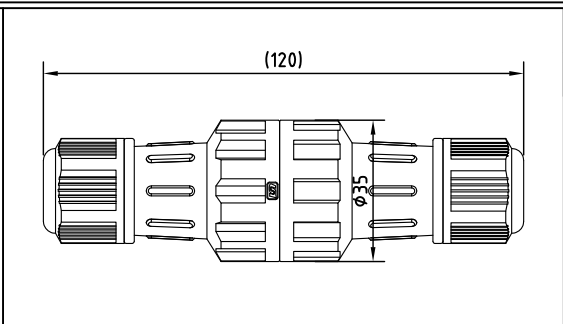
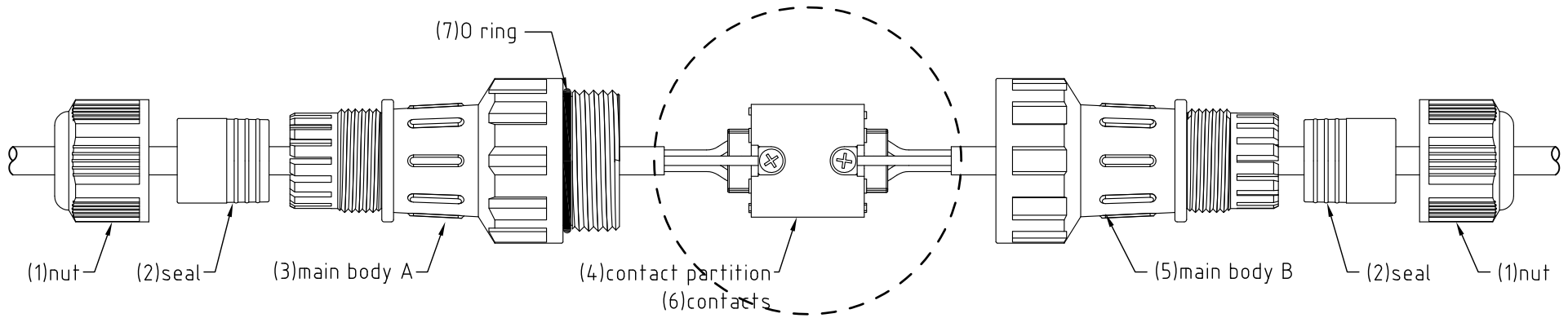


Part No. : UT-4076-X

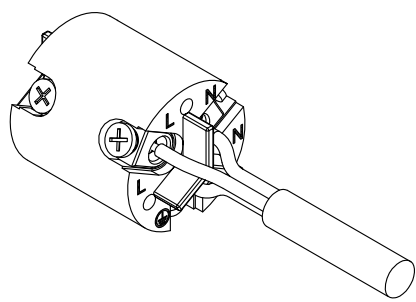
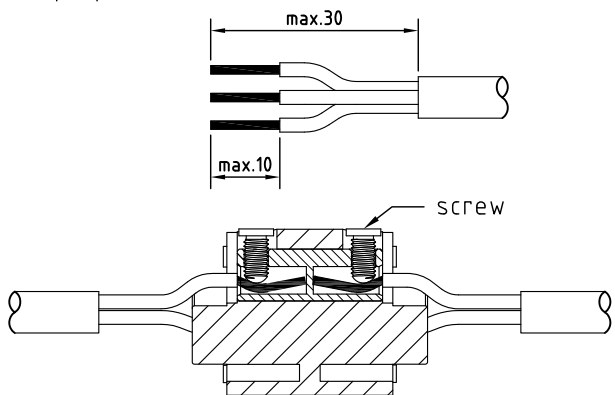
- 1-cable OD : 4-7mm
- 2-cable OD : 7.1-9mm
- 3-cable OD : 9.1-11mm
- \*Wire range : AWG#12-18



REV.	Description	Date
1	cable OD revise	2016/4/19



Cable preparation



7	O ring	Rubber	1
6	Contacts	Brass/gold ptd.	3
5	Main body B	PA	1
4	partition	PA	1
3	Main body A	PA	1
2	Seal	TPR	2
1	Nut	PA	2
Item	Description	Material	Q'TY

RoHS  
TOLERANCE ±0.5 UNLESS SPECIFIC



**Unicable Co., Ltd. 國陽電業有限公司**  
5F., No. 111-33, Sec. 4, San Ho Road, San Chung City, Taiwan, R.O.C.  
<http://www.unicable.com.tw> TEL:+886-2-2286-2122 FAX:+886-2-2286-1010

DATE	2016/10/7	PART NO.	UT-4076-X
DWN	GINA	REV.	1
CHK			
UNIT	MM		

ITEM	Cable Joiner
------	--------------